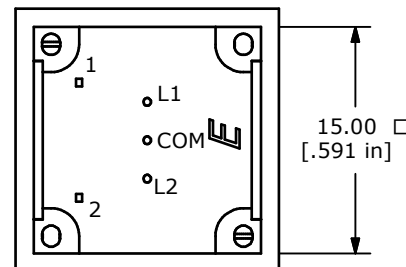
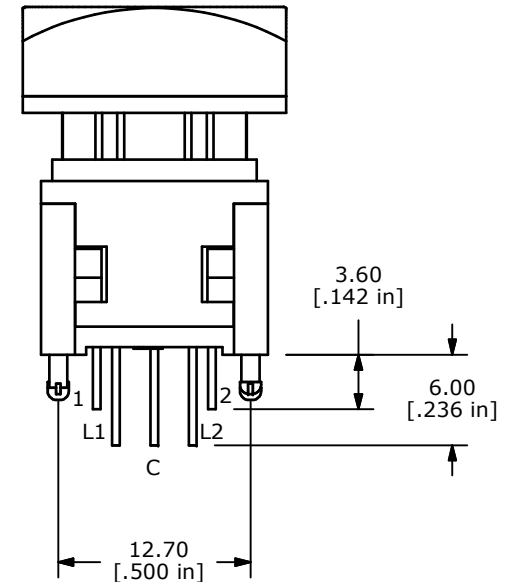
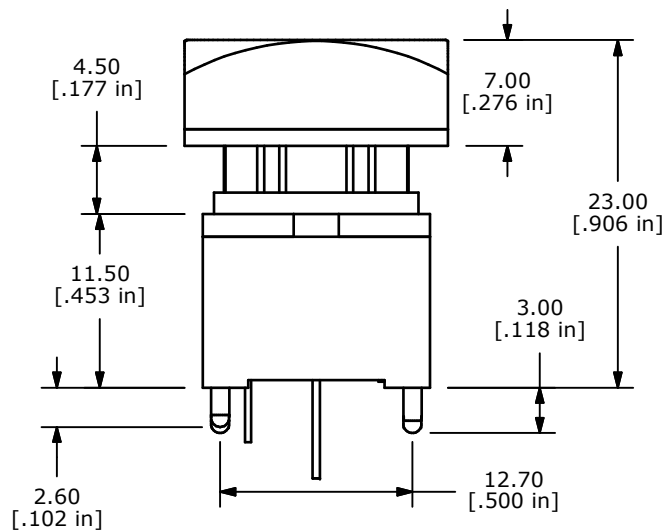


- NOTES:
1. ALL DIMENSIONS IN MM [INCH]
 2. GENERAL TOLERANCE: X.X=± 0.4
X.XX=± 0.25
 3. TERM. NOS. FOR REFERENCE ONLY.
 4. RATING: 12VDC, 100mA
 5. CONTACT MATERIAL: GOLD PLATED
 6. CONTACT RESISTANCE: 200 mΩ MAX.
 7. INSULATION RESISTANCE: 500VDC, 100 MΩ MIN.
 8. OPERATING FORCE: 250± 100GF
 9. MECHANICAL LIFE: 1,000,000 CYCLES
 10. OPERATING TEMP: -20°C TO +70°C
 - ▲ 11. LED COLORS: GREEN, BLUE
 12. TRAVEL: 4.50mm±0.20
 13. 2002/95/EC (ROHS) COMPLIANT
 14. ▲ DENOTES CRITICAL PARAMETER.
 - ▲ 15. SWITCH HAS TACTILE FEEDBACK WHEN ACTUATED.



LED SPECS	UNITS	GREEN	BLUE
FORWARD CURRENT	mA	20	20
FORWARD VOLTAGE @20mA	V	3.1-3.8	3.3-3.8
LUMINOUS INTENSITY @ 10mA	MCD	250	70



TITLE LP110A1TCSGB

REV	PCR NO	DESCRIPTION	DATE	BY
B	21454	CHANGE CONTACT MATERIAL TO GOLD	5/13/14	EBP
A	21448	INITIAL RELEASE	4/30/14	EBP

SCALE	DATE	DR	DWG	REV
	4/30/2014	EBP	B231020	B

THE INFORMATION CONTAINED IN THIS DOCUMENT IS PROPRIETARY TO E-SWITCH AND IS NOT TO BE COPIED OR TRANSFERRED